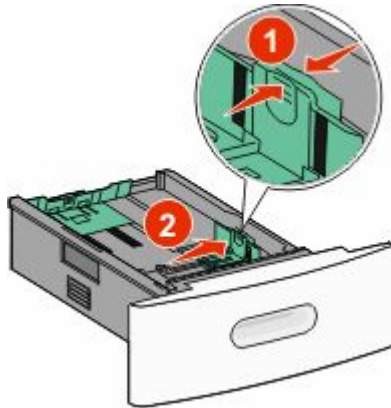


Quick Reference

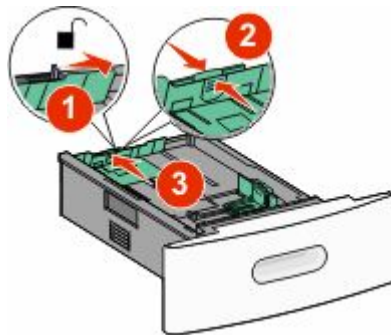
Loading paper

Loading paper

- 1 Squeeze the width guide tab inward and move it to fit the paper size being loaded.



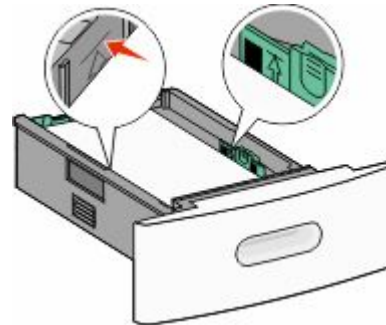
- 2 Unlock the length guide, squeeze the length guide tab inward, and slide it to fit the paper size being loaded.



- 3 Flex, fan, and straighten the paper stack.



- 4 Load the paper.



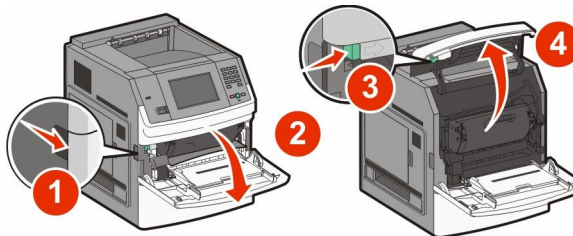
Note: The maximum fill line. Do not overload the tray.

- 5 If a different paper type was loaded, then change the Paper Type setting for the tray from touch screen.

Clearing jams

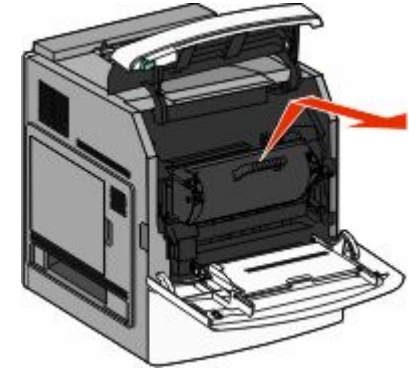
200 and 201 paper jams

- 1 Lower the multipurpose feeder door, and then push the release latch to open the front cover.



- 2 Lift and pull the print cartridge out of the printer.

Warning—Potential Damage: Do not touch the photoconductor drum on the underside of the cartridge. Use the cartridge handle whenever you are holding the cartridge.



- 3 Place the print cartridge aside on a flat, smooth surface.

Warning—Potential Damage: Do not leave the cartridge exposed to light for extended periods.

Warning—Potential Damage: The jammed paper may be covered with unfused toner which can stain garments and skin.

- 4 Remove the jammed paper.

CAUTION—HOT SURFACE: The inside of the printer might be hot. To reduce the risk of injury from a hot component, allow the surface to cool before touching.

Note: If the paper is not easy to remove, then open the rear door and remove the paper from there.

- 5 Align and reinstall the print cartridge.

- 6 Close the front cover.

- 7 Close the multipurpose feeder door.

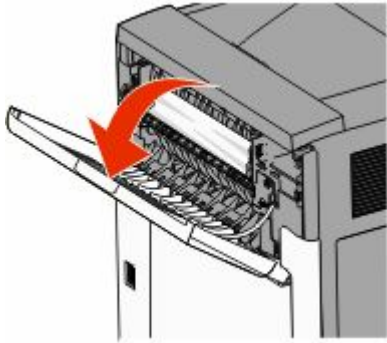
- 8 Touch **Continue**.

202 and 203 paper jams

Touch **Status/Supplies** to identify the location of the jam. If the paper is exiting the printer, then pull the paper out, and then touch **Continue**.

If the paper is not exiting the printer:

- 1 Open the upper rear door.

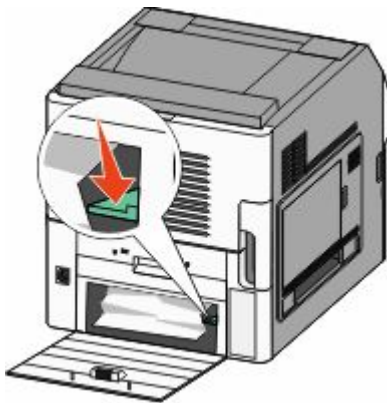


- 2 Slowly remove the jammed paper to avoid tearing it.
- 3 Close the upper rear door.
- 4 Touch **Continue**.

230 paper jam

Rear paper jams

- 1 Remove the standard tray.
- 2 Open the lower rear door.
- 3 If you do not find the jam, push the tab down.

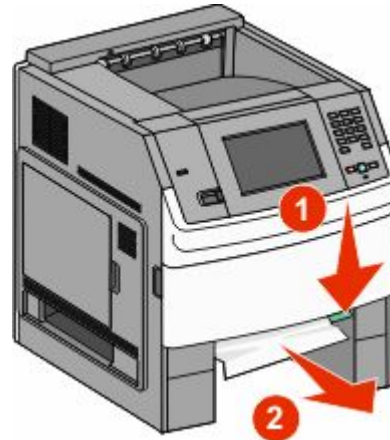


- 4 Remove the jammed paper.

- 5 Close the lower rear door.
- 6 Insert the standard tray.
- 7 Touch **Continue**.

Front paper jams

- 1 Remove the standard tray from the printer.
- 2 Push the tab down.



- 3 Remove the jammed paper.
- 4 Insert the standard tray.
- 5 Touch **Continue**.

241–245 paper jams

- 1 Pull out the tray indicated on the display.
- 2 Remove any jammed paper, and then insert the tray.
- 3 Touch **Continue**.
- 4 If the jam message persists for a 250- or 550-sheet tray, then remove the tray from the printer.
- 5 Remove the jammed paper, and then insert the tray.
- 6 Touch **Continue**.

Finding more information

Finding information about the printer

- Check the **User's Guide** for information on:
 - The touch screen and its applications
 - Setting up and using printer software
 - Caring for and maintaining the printer

The latest comprehensive *User's Guide* is available on our Web site at www.lexmark.com/publications.

- Check the Lexmark Support Web site—support.lexmark.com—for:
 - E-mail support
 - Live chat support
 - Telephone support numbers and hours of operation for your country or region (also available on the printed warranty that came with your printer)

Note: Select your country or region, and then select your product to view the appropriate support site.