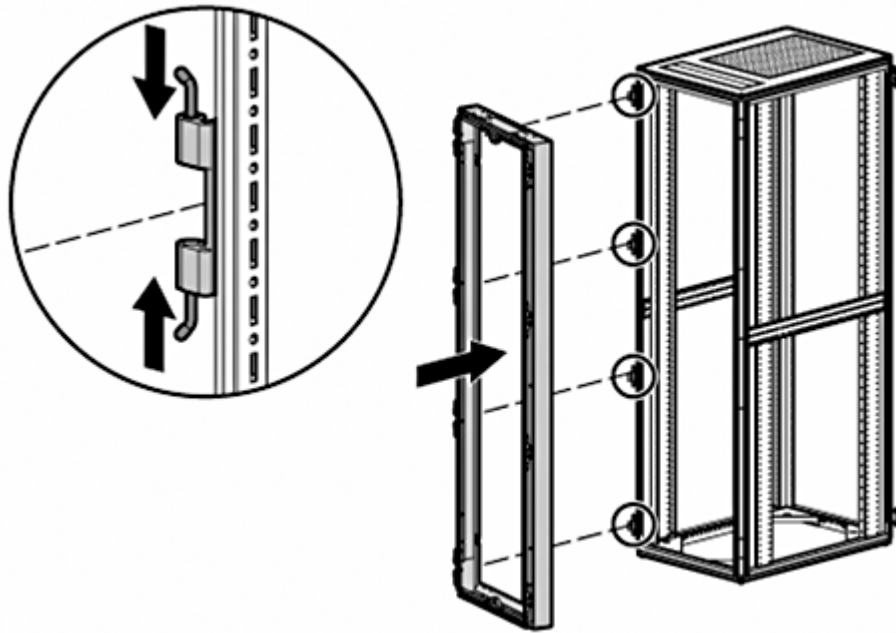


### Overview



Rear Rack View

42U Rear Extension Kit for 10000 Series Rack

AF058A

### Key Features

- The new HP 42U Rear Extension Kit for 10000 Series Rack provides an additional 155mm (6") of space in the rear of the 10000 Series rack for additional cable management while maintaining the two tile standard for the rack.
- Comfortably mount 2 Intelligent Power Distributions Units side-by-side.
- For use with HP 10642 and HP 9642 Racks only.
- Metallic Graphite color
- 1/0/0 Warranty

### Technical Specifications

#### Physical Characteristics

<b>Dimensions</b> (HxDxW)	<b>Total Cabinet Area</b>	77.16 x 6.106 x 23.35 in (43.6 x 15.5 x 59.3 cm)
	<b>Shipping</b> (with packaging materials)	81.5 x 9 x 28 in (207 x 22.86 x 71.12 cm)
<b>Weight</b>	<b>Operating</b>	25 lb (11.3 kg)
	<b>Shipping</b>	45 lb (20.4 kg)
<b>CTO</b>	No	
<b>Color</b>	Graphite Metallic	

**Environment-friendly Products and Approach and Recycling**    **End-of-life Management** Hewlett-Packard offers end-of-life HP product return, trade-in, and recycling programs in many geographic areas. For trade-in information, please go to <http://www.hp.com/go/green>. To recycle your product, please go to: <http://www.hp.com/go/green> or contact your nearest HP sales office. Products returned to HP will be recycled, recovered or disposed of in a responsible manner.

The EU WEEE directive (2002/95/EC) requires manufacturers to provide treatment information for each product type for use by treatment facilities. This information (product disassembly instructions) is posted on the Hewlett Packard web site at: <http://www.hp.com/go/green>. These instructions may be used by recyclers and other WEEE treatment facilities as well as HP OEM customers who integrate and re-sell HP equipment.

© Copyright 2007 Hewlett-Packard Development Company, L.P.

The information contained herein is subject to change without notice.

The only warranties for HP products and services are set forth in the express warranty statements accompanying such products and services. Nothing herein should be construed as constituting an additional warranty. HP shall not be liable for technical or editorial errors or omissions contained herein.