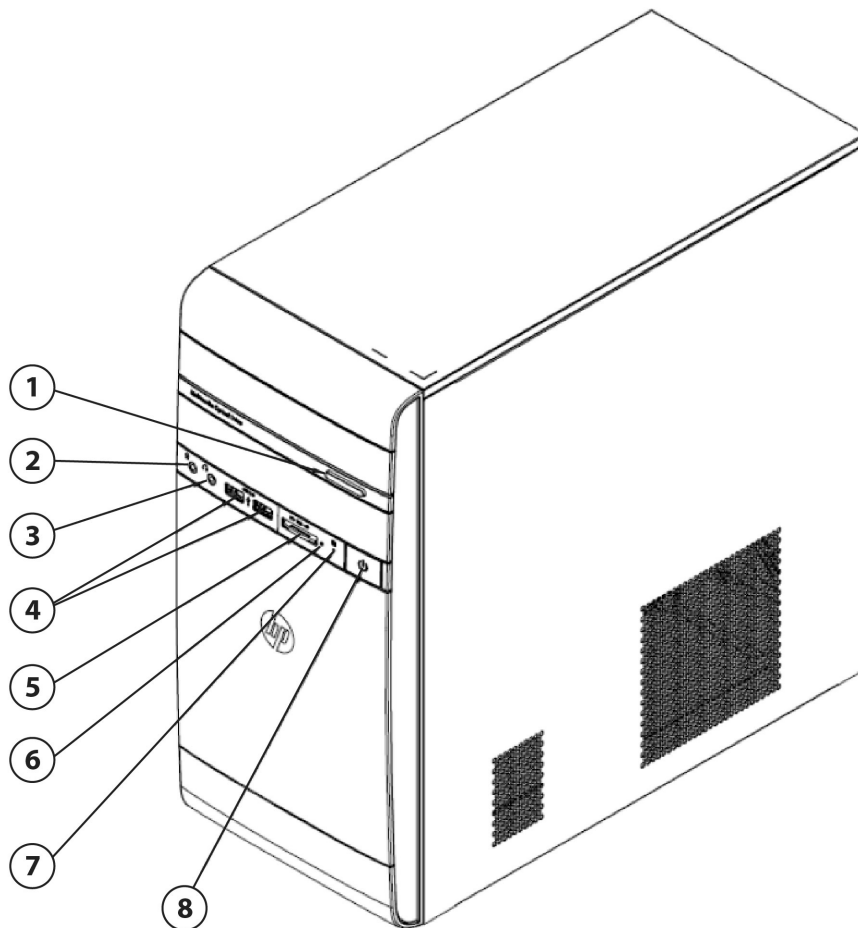


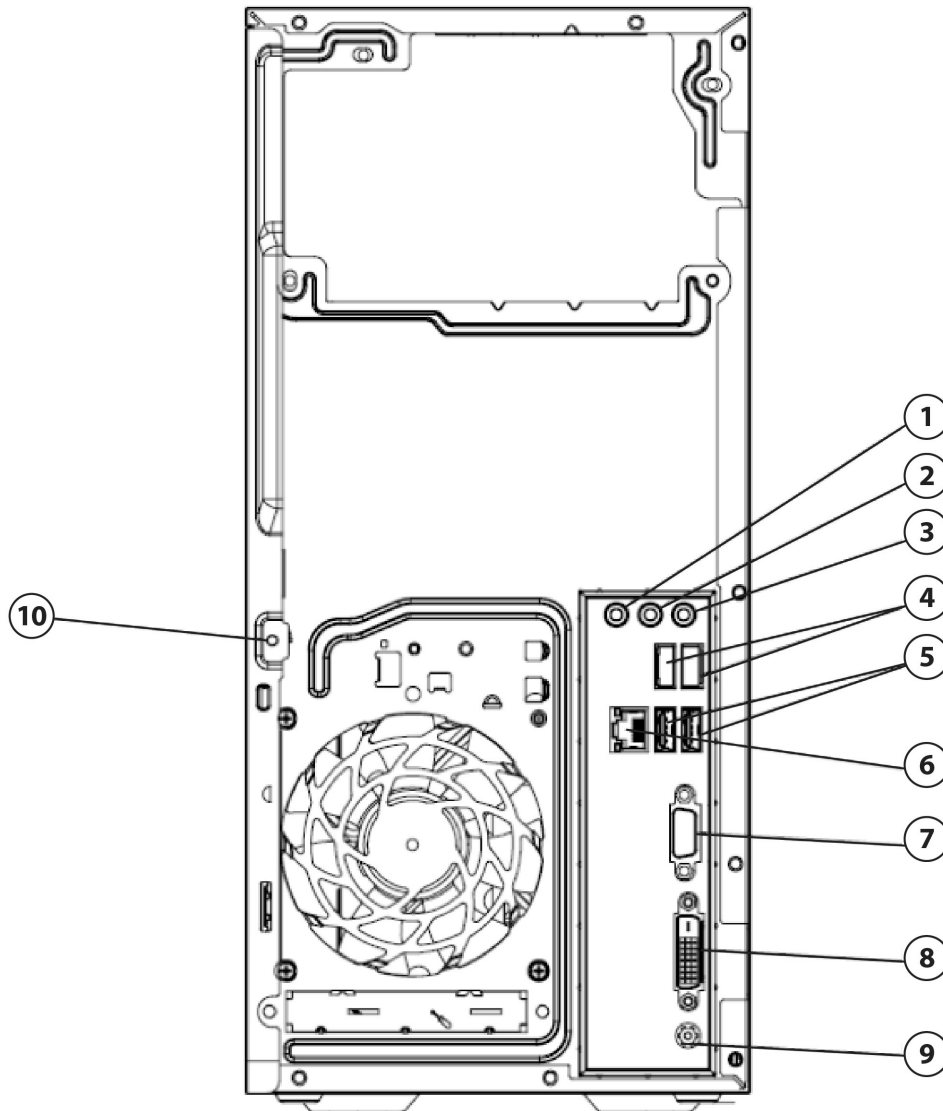
Overview

HP 600B MICROTOWER BUSINESS PC



1. Optical Disk Drive Ejection Button
2. Microphone In Port
3. Audio Line Out Port
4. Two USB 2.0 Ports
5. 6-in-1 Media Card Reader
6. Media Card Reader Indicator Light
7. Hard Disk Drive Indicator Light
8. Power Button and Indicator Light

Overview



1. Audio Line In Port
2. Audio Line Out Port
3. Microphone In Port
4. Two (2) USB 2.0 Ports
5. Two (2) USB 2.0 Ports
6. RJ45 Network Connection Port
7. VGA Video Output Connection
8. DVI-D Video Output Connection
9. DC In Connector (from external 90W power adapter)
10. Access Panel Screw

Overview

At A Glance

- Windows 8 Pro (64-bit), Windows 8 (64-bit), Windows® 7 Professional Edition (32- and 64-bit), Windows 7 Home Premium Edition (32 and 64-bit), Windows 7 Home Basic Edition (64-bit)
- Intel H61 Express chipset supporting Intel 2nd and 3rd generation Core processors featuring Intel HD Graphics
- Integrated 10/100 Ethernet Controller
- DDR3 Synchronous Dynamic Random Access Memory (SDRAM)
- Dual independent monitor support via VGA and DVI-D video interfaces
- Energy efficient external 90W power adapter
- Protected by HP Services; terms and conditions vary by country; certain restrictions and exclusions apply

Standard Features and Configurable Modules

CHIPSET

Intel® H61 Express

PROCESSOR

Intel Celeron

Intel Celeron G540T Processor (2.1 GHz, 2 MB cache)

Intel Pentium

Intel Pentium G640T Processor (2.4 GHz, 3 MB cache)

Intel Core i3

Intel Core i3-2120T Processor (2.6 GHz, 3 MB cache)

NOTE: Intel processor numbers are not a measure of performance. Processor numbers differentiate features within each processor family, not across different processor families.

NETWORKING

Integrated 10/100 Ethernet Controller

AUDIO/MULTIMEDIA

High Definition Audio (all ports are stereo)

Microphone and headphone front ports (3.5mm)

Line-out and Line-in rear ports (3.5mm)

STORAGE

500GB 7200 RPM SATA Hard Disk Drive

1TB 7200 RPM SATA Hard Disk Drive

MEDIA DEVICES

6-in-1 Media Card Reader

SuperMulti DVD-RW Drive

KEYBOARDS AND POINTING DEVICES

USB Keyboard

USB Optical Mouse

Standard Features and Configurable Modules

MEMORY

- 2GB DDR3-1600 DIMM (1x2GB)
- 4GB DDR3-1600 DIMM (1x4GB)
- 6GB DDR3-1600 DIMM (4GB+2GB)
- 8GB DDR3-1600 DIMM (2x4GB)

PORTS

Front I/O Ports

- Two (2) USB 2.0 ports (front)
- One (1) microphone in; one (1) headphone out

Rear I/O Ports

- Four (4) USB 2.0 ports
- One (1) VGA video output
- One (1) DVI-D video output
- One (1) RJ45 network connection
- Audio Line In; Audio Line Out; Microphone in

BAYS

- One (1) 5.25" Optical Disc Drive Bay
- One (1) 3.5" Hard Disk Drive Bay

SERVICE AND SUPPORT

1 year standard on-site warranty and service¹: This limited warranty and service offering delivers parts, labor and on-site repair. Optional terms available up to 3 years. Response time is next business day² and includes free telephone support³ 24 x 7. Global coverage² ensures any product purchased in one country and transferred to another non-restricted country will remain fully covered under the original warranty and service offering. Some countries/regions do not offer one year onsite and labor.

Operating Systems & Software

OPERATING SYSTEMS

Preinstalled

Windows 8 Pro (64-bit)*
Windows 8 (64-bit)*
Windows® 7 Professional (32-bit or 64-bit)
Windows® 7 Home Premium (64-bit)
Windows® 7 Home Basic (64-bit)
Windows® 7 Starter (32-bit)
FreeDOS

For all Preinstalled operating systems HP provides Microsoft WHQL certified (where applicable) drivers on www.hp.com at the time of product announcement.

SOFTWARE

Preinstalled (varies by country)
(Buy Office)

Browser and Toolbars

- Internet Explorer 10
- Norton Toolbar

Productivity

- Buy Office

Optical Disc Drive Playback and TV Tuners

- CyberLink PowerDVD
- Avermedia TV app
- Hauppauge TV app

Windows® Live™

- Movie Maker
- Writer
- Photo Gallery

Windows 8 applications

- Mail
- Calendar
- People
- SkyDrive
- Photos
- Messaging

Photos and Videos

- CyberLink YouCam

Operating Systems & Software

- CyberLink Media Suite
- CyberLink Power2Go
- CyberLink Label Print

A/V Integration

- HP Connected Remote

Audio Post Processing

- Beats Audio™

Games

- HP Games by WildTangent

Communication

- Broadband connection utility
- HP MyRoom

Utilities and Support

- HP Online User Guide
- HP Recovery Manager
- HP Support Assistant
- HP MyDisplay
- HP ePrint (driver)

Technical Specifications

Unit Environment and Operating Conditions

General Unit Operating Guidelines

- Keep the computer away from excessive moisture, direct moisture and the extremes of heat and cold, to ensure that unit is operated within the specified operating range.
- Leave a 10.2 cm (4 in) clearance on all vented sides of the computer to permit the required airflow.
- Never restrict airflow into the computer by blocking any vents or air intakes.
- Do not stack computers on top of each other or place computers so near each other that they are subject to each other's re-circulated or preheated air.
- Occasionally clean the air vents on the front, back, and any other vented side of the computer. Lint, dust and other foreign matter can block the vents and limit the airflow.
- If the computer is to be operated within a separate enclosure, intake and exhaust ventilation must be provided on the enclosure, and the same operating guidelines listed above will still apply.

Temperature Range	Operating: 50° to 95° F (10° to 35° C)* Non-operating: -22° to 140° F (-30° to 60° C)
Relative Humidity	Operating: 10% to 90% (non-condensing at ambient) Non-operating: 5% to 95% (non-condensing at ambient)
Maximum Altitude (unpressurized)	Operating: 10,000 ft (3048 m) Non-operating: 30,000 ft (9144 m)

* Operating temperature is de-rated 1.0 deg C per 300 m (1000 ft) to 3000 m (10,000 ft) above sea level, no direct sustained sunlight. Maximum rate of change is 10 deg C/Hr. The upper limit may be limited by the type and number of options installed.

Power Supply

Rated Voltage Range	100 - 240 VAC; DC-in 19V
Average Operating Power	26.55W
Maximum Operating Power	61.95W

Weights & Dimensions (configured with 1 HDD and 1 ODD)

Chassis (H x W x D)	6.42 x 13.98 x 15.28 in 163 x 355 x 388 mm
System Volume	1,371.40 cu in (22.45 L)
System Weight*	11.65 lbs / 5.285 kgs

Technical Specifications

ENVIRONMENTAL INFORMATION

Eco-Label Certifications & Declarations This product has received or is in the process of being certified to the following approvals and may be labeled with one or more of these marks:

- IT ECO declaration

System Configuration The configuration used for the Energy Consumption and Declared Noise Emissions data for the Micro tower Desktop model is based on a typically configured product.

Energy Consumption	115 VAC	230 VAC	100 VAC
Normal Operation	22.23 W	22.457 W	22.275 W
Sleep (Energy Star low power mode)	1.7452 W	1.8711 W	1.7335 W
Off	0.86892 W	0.95398 W	0.92592 W

Heat Dissipation*	115 VAC	230 VAC	100 VAC
Normal Operation	76 BTU/Hr	77 BTU/Hr	76 BTU/Hr
Sleep	6 BTU/Hr	6 BTU/Hr	6 BTU/Hr
Off	3 BTU/Hr	3 BTU/Hr	3 BTU/Hr

* Heat dissipation is calculated based on the measured watts, assuming the service level is attained for one hour.

Declared Noise Emissions (in accordance with ISO 7779 and ISO 9296)

System Fan on with active graphic card	Sound Power (LWAd, bels)	Sound Pressure (LpAm, decibels)
Idle	3.4	22.5
Fixed Disk (random writes)	3.6	22.6

Longevity and Upgrading

This product can be upgraded, possibly extending its useful life by several years. Upgradeable features and/or components contained in the product may include:

Intel LGA775 processor socket

- 8 USB ports
- 1 empty PCI slot (w/ optional PCI riser card), or 1 empty PCIe x16 slot (w/optional PCIe riser card)
- 1 internal drive slot
- 1 Slimline optical drive slot
- 3 memory slots
- 1 Serial/Parallel Port (optional)

Spare parts are available throughout the warranty period and or for up to "5" years after the end of production.

Batteries

This battery(s) in this product comply with EU Directive 2006/66/EC

Batteries used in the product do not contain:

Technical Specifications

- Mercury greater than 5ppm by weight
- Cadmium greater than 10ppm by weight
 - Battery size: CR2032 (coin cell)
 - Battery type: Lithium

Additional information

This product is in compliance with the Restrictions of Hazardous Substances (RoHS) directive - 2002/95/EC.

This HP product is designed to comply with the Waste Electrical and Electronic Equipment (WEEE) Directive - 2002/96/EC.

This product is in compliance with California Proposition 65 (State of California; Safe Drinking Water and Toxic Enforcement Act of 1986).

Plastics parts weighing over 25 grams used in the product are marked per ISO 11469 and ISO1043.

This product contains 0% post consumer recycled plastic (by wt.)

This product is 93.4% recyclable when properly disposed of at end of life.

Packaging Materials

- External:
 - PAPER/Corrugated 250 g
- Internal:
 - PLASTIC/EPS (Expanded Polystyrene) 161 g
 - PLASTIC/Polyethylene low density 26 g
- The PAPER/Corrugated material contains at least 51.5% recycled content.
- The PLASTIC/EPS (Expanded Polystyrene) material contains at least 10.5% recycled content.
- The PLASTIC/Polyethylene low density material contains at least 10.5% recycled content.

RoHS2 Compliance

Hewlett-Packard is committed to compliance with all applicable environmental laws and regulations, including the European Union Restriction of Hazardous Substances (RoHS) Directive. HP's goal is to exceed compliance obligations by meeting the requirements of the RoHS Directive on a worldwide basis. By July 1, 2006, RoHS substances will be virtually eliminated (virtually = to levels below legal limits) for all HP electronic products subject to the RoHS Directive, except where it is widely recognized that there is no technically feasible alternative (as indicated by an exemption under the EU RoHS Directive).

Material Usage

This product does not contain any of the following substances in excess of regulatory limits (refer to the HP General Specification for the Environment at http://www.hp.com/hpinfo/globalcitizenship/environment/supplychain/gen_specifications.html):

- Asbestos
- Certain Azo Colorants
- Certain Brominated Flame Retardants - may not be used as flame retardants in plastics
- Cadmium
- Chlorinated Hydrocarbons
- Chlorinated Paraffins
- Formaldehyde
- Halogenated Diphenyl Methanes
- Lead carbonates and sulfates
- Lead and Lead compounds
- Mercuric Oxide Batteries
- Nickel - finishes must not be used on the external surface designed to be frequently handled or carried by the user.
- Ozone Depleting Substances
- Polybrominated Biphenyls (PBBs)

Technical Specifications

- Polybrominated Biphenyl Ethers (PBBEs)
- Polybrominated Biphenyl Oxides (PBBOs)
- Polychlorinated Biphenyl (PCB)
- Polychlorinated Terphenyls (PCT)
- Polyvinyl Chloride (PVC) - except for wires and cables, and certain retail packaging has been voluntarily removed from most applications.
- Radioactive Substances
- Tributyl Tin (TBT), Triphenyl Tin (TPT), Tributyl Tin Oxide (TBTO)

Packaging

HP follows these guidelines to decrease the environmental impact of product packaging:

- Eliminate the use of heavy metals such as lead, chromium, mercury and cadmium in packaging materials.
- Eliminate the use of ozone-depleting substances (ODS) in packaging materials.
- Design packaging materials for ease of disassembly.
- Maximize the use of post-consumer recycled content materials in packaging materials.
- Use readily recyclable packaging materials such as paper and corrugated materials.
- Reduce size and weight of packages to improve transportation fuel efficiency.
- Plastic packaging materials are marked according to ISO 11469 and DIN 6120 standards.

End-of-life Management and Recycling

Hewlett-Packard offers end-of-life HP product return and recycling programs in many geographic areas. To recycle your product, please go to: <http://www.hp.com/go/reuse-recycle> or contact your nearest HP sales office. Products returned to HP will be recycled, recovered or disposed of in a responsible manner.

The EU WEEE directive (2002/95/EC) requires manufacturers to provide treatment information for each product type for use by treatment facilities. This information (product disassembly instructions) is posted on the Hewlett Packard web site at: <http://www.hp.com/go/recyclers>. These instructions may be used by recyclers and other WEEE treatment facilities as well as HP OEM customers who integrate and re-sell HP equipment.

Hewlett-Packard Corporate Environmental Information

For more information about HP's commitment to the environment:

Global Citizenship Report

<http://www.hp.com/hpinfo/globalcitizenship/gcreport/index.html>

Eco-label certifications

<http://www.hp.com/hpinfo/globalcitizenship/environment/productdesign/ecolabels.html>

ISO 14001 certificates:

<http://www.hp.com/hpinfo/globalcitizenship/environment/operations/envmanagement.html>

All rights reserved. Microsoft, Windows and Windows 7 are registered trademarks or trademarks of Microsoft Corporation in the U.S. and/or other countries. Intel and Core are registered trademarks or trademarks of Intel Corporation in the U.S. and/or other countries. Bluetooth is a registered trademark of Bluetooth SIG, Inc., in the U.S. and other countries. All other product names mentioned herein may be trademarks of their respective companies.

The information contained herein is subject to change without notice and is provided "as is" without warranty of any kind. The warranties for HP products are set forth in the express limited warranty statements accompanying such products. Nothing herein should be construed as constituting an additional warranty. HP shall not be liable for technical or editorial errors or omissions contained herein.