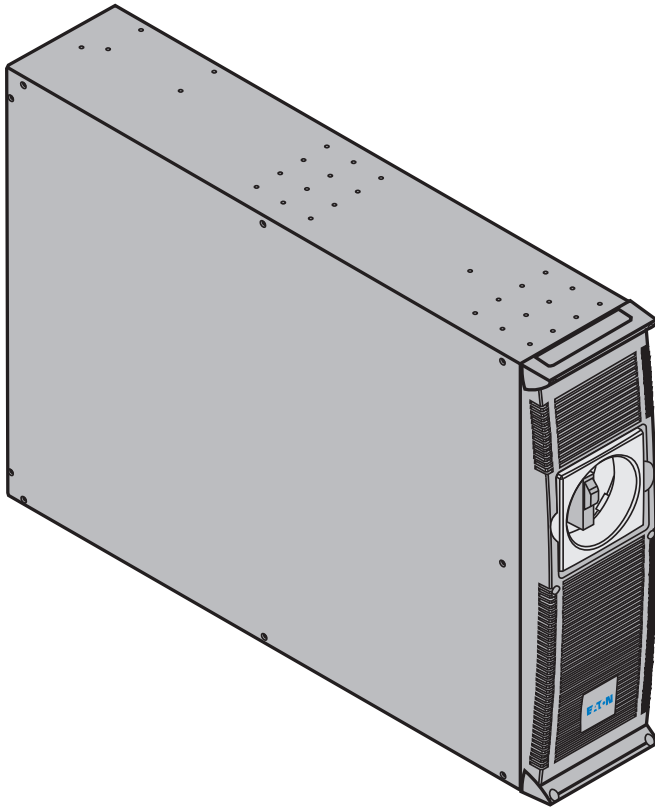


MX ModularEasy

Quick Installation

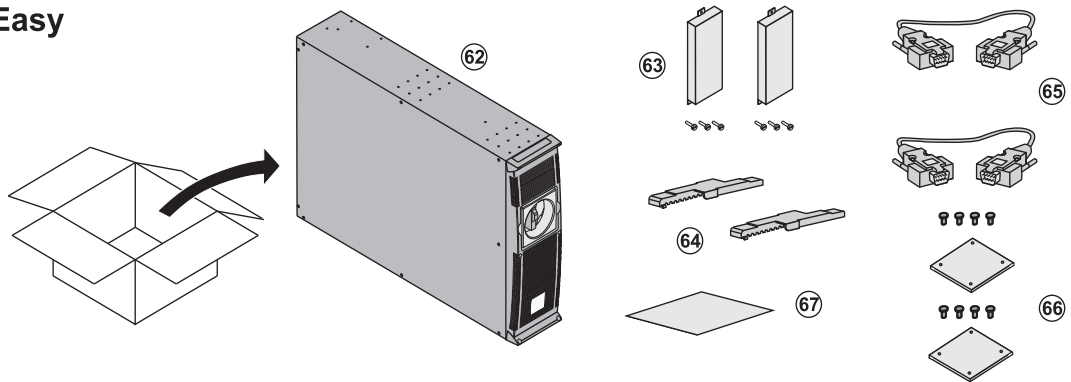
Startup



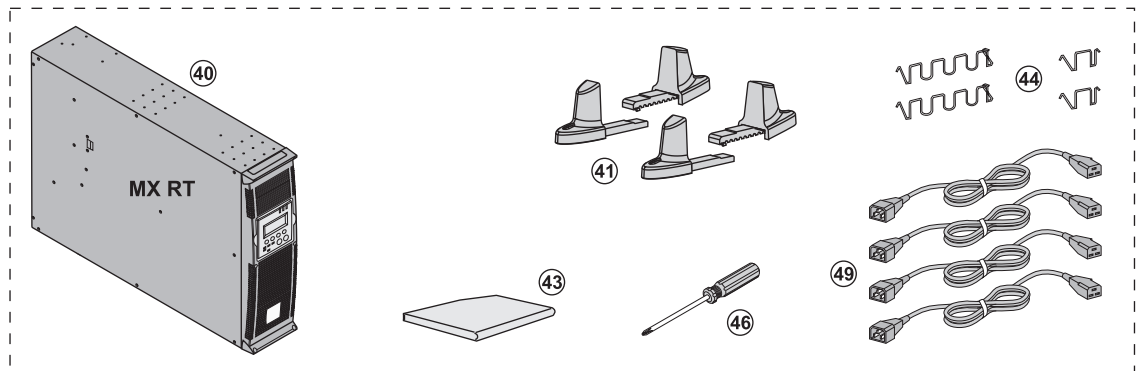
Pulsar Series

Unpacking & contents check

ModularEasy



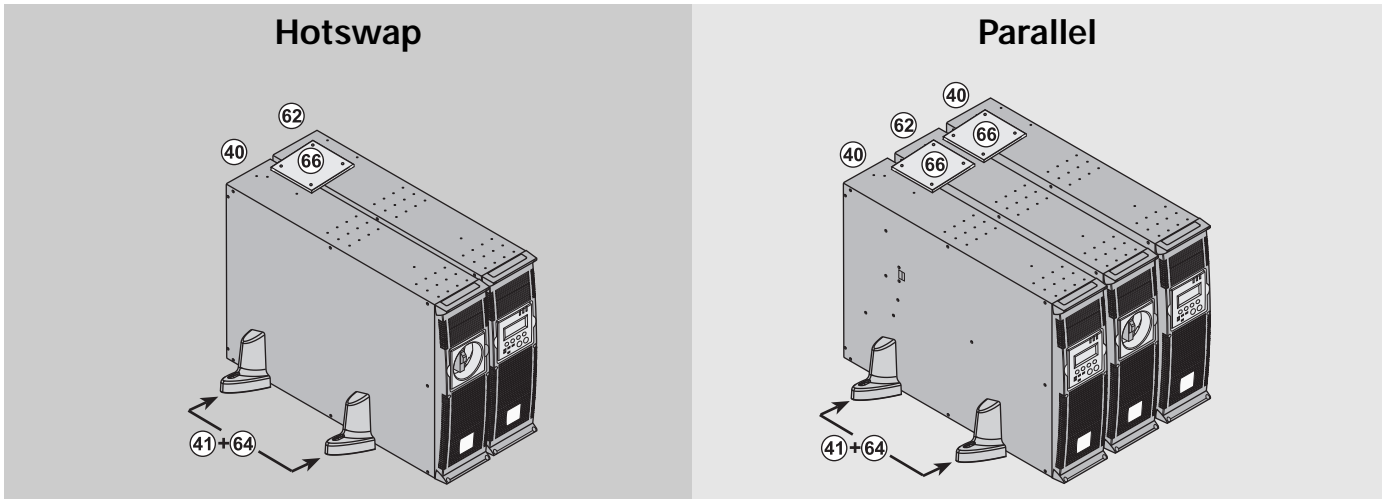
UPS



Needed (not included)

	Hotswap	Parallel
	D curve - 32 A	D curve - 63 A
	x 2	x 2
	x 2	x 4

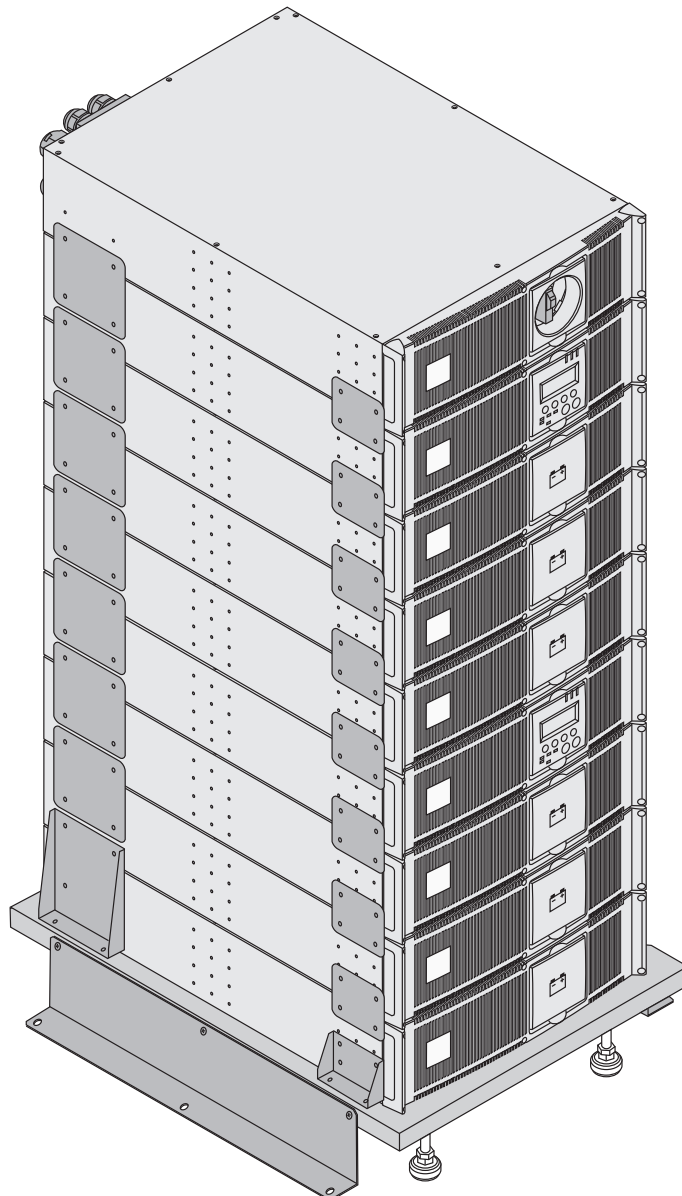
Possible setups + UPS



ModularEasy + 1 MX RT

ModularEasy + 2 MX RT

Largest possible setup



Parallel + 2 x 3 EXB (Battery extension)

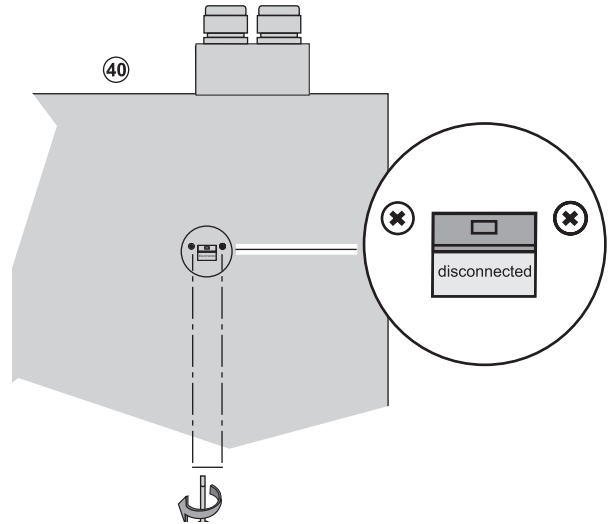
Step 1

ModularEasy

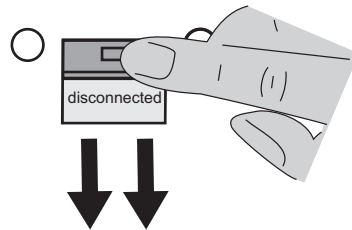
UPS

For this step, no operations
with ModularEasy

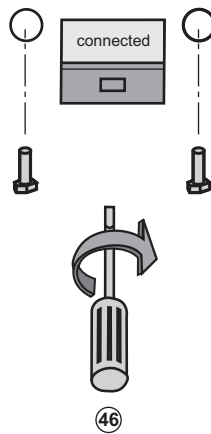
1



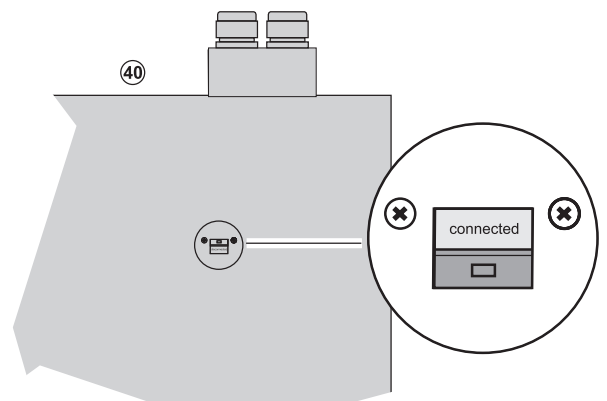
2



3



After Step 1



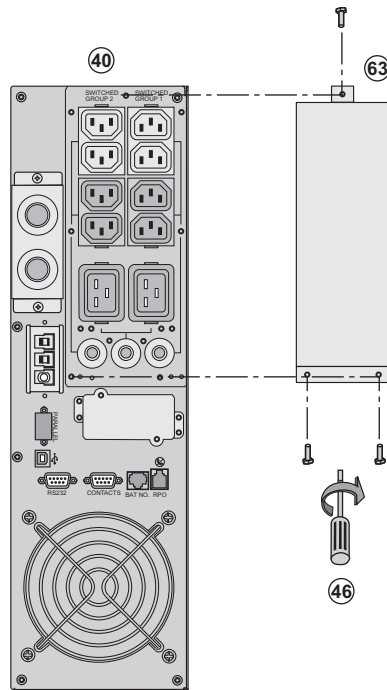
Quick installation

Step 2

ModularEasy

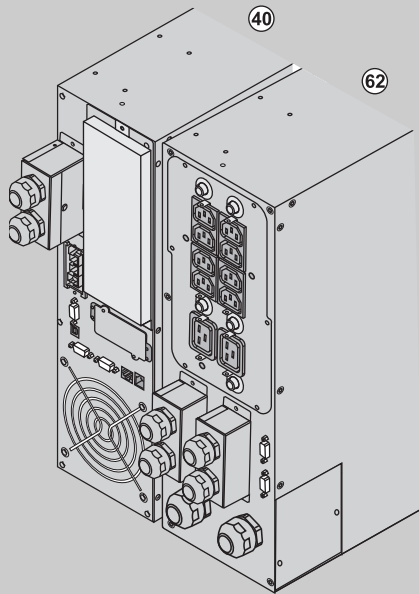
No operation
with ModularEasy

UPS

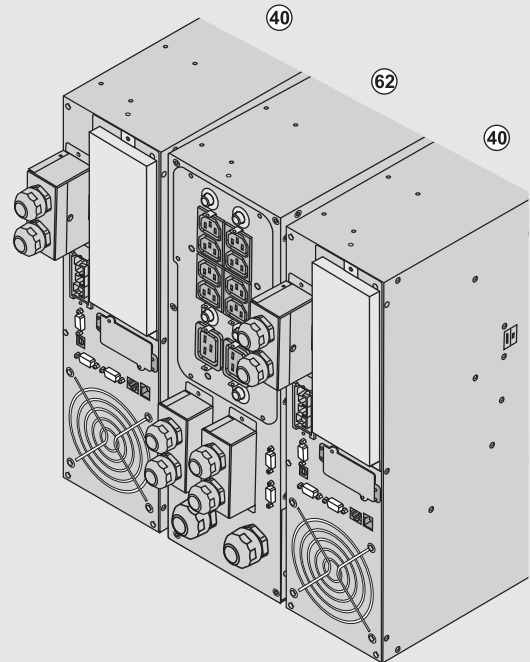


After Step 2

Hotswap



Parallel

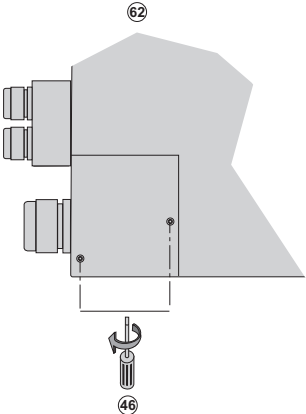


Step 3

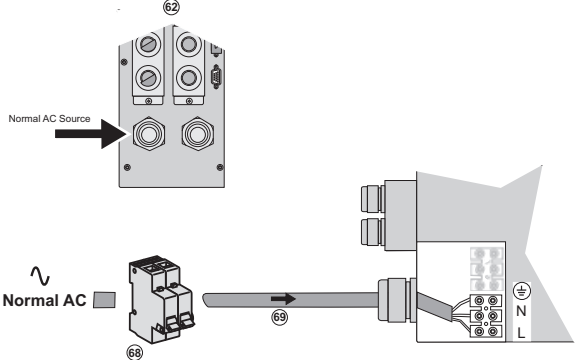
ModularEasy

UPS

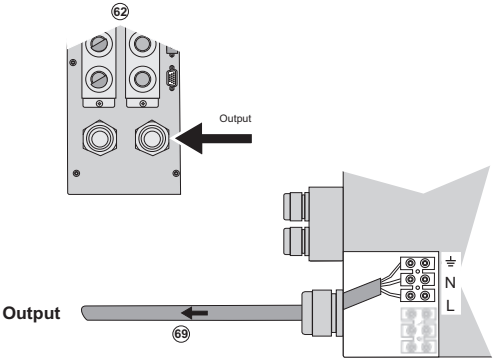
1



2



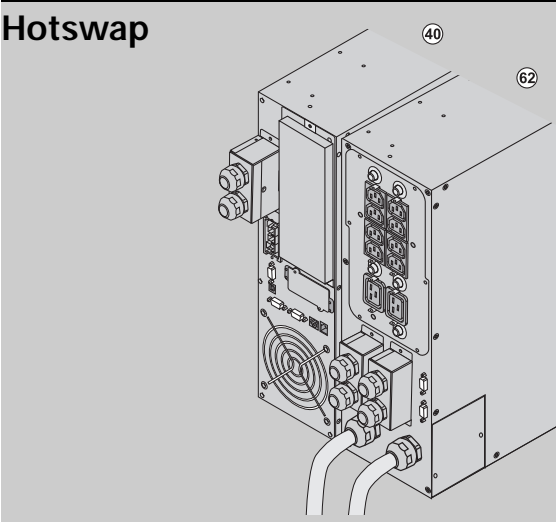
3



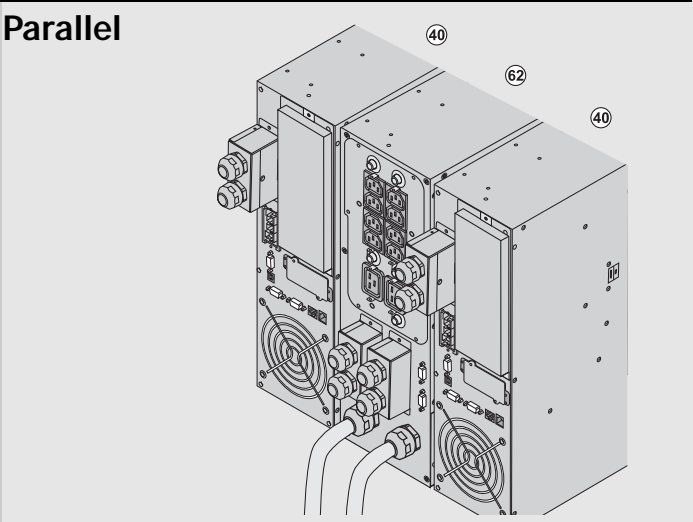
For this step, no operations with UPS

After Step 3

Hotswap



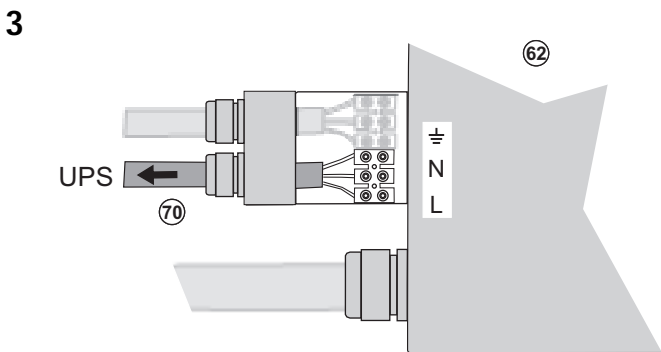
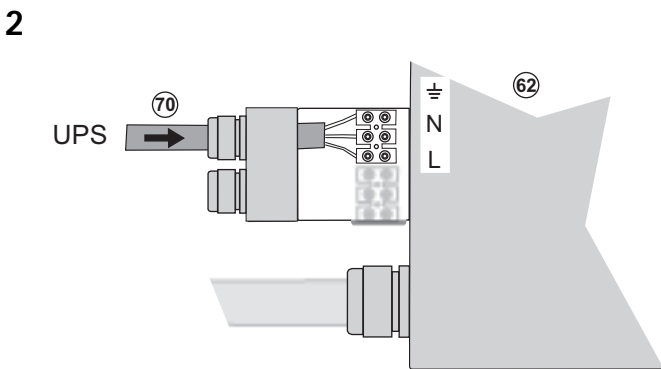
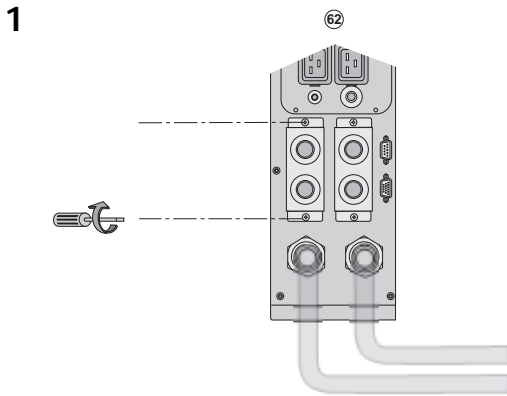
Parallel



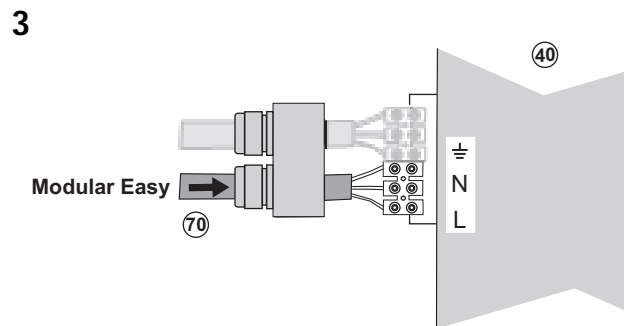
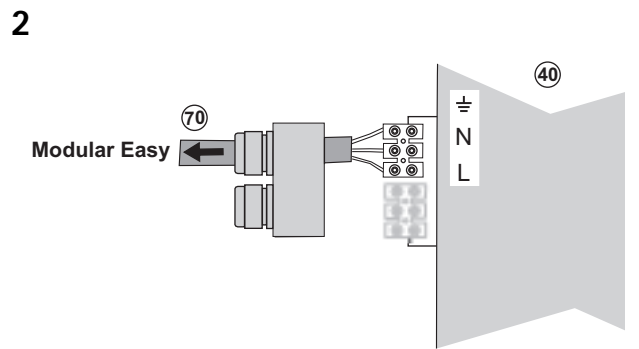
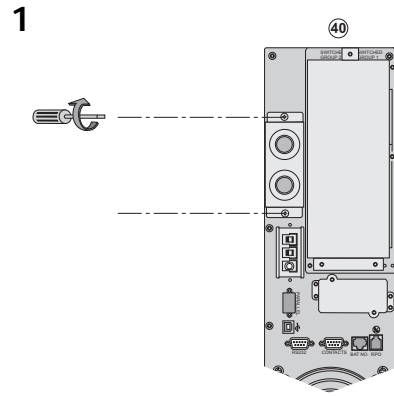
Quick installation

Step 4

ModularEasy

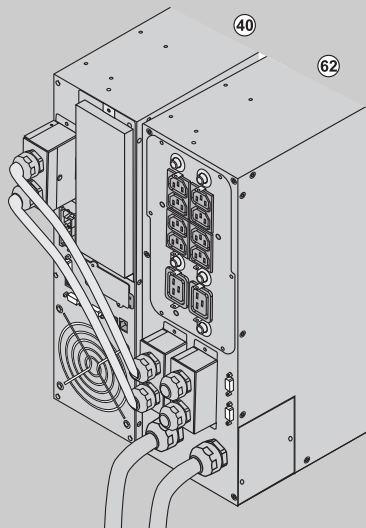


UPS

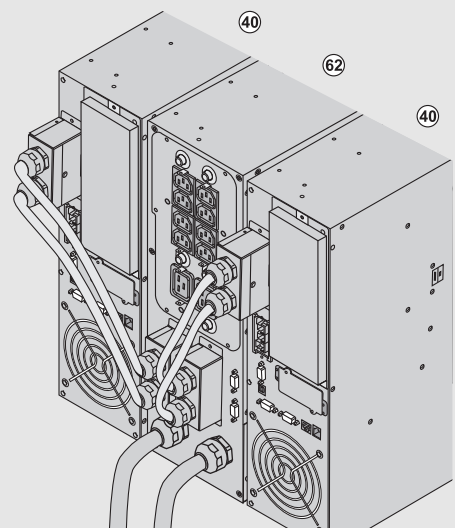


After Step 4

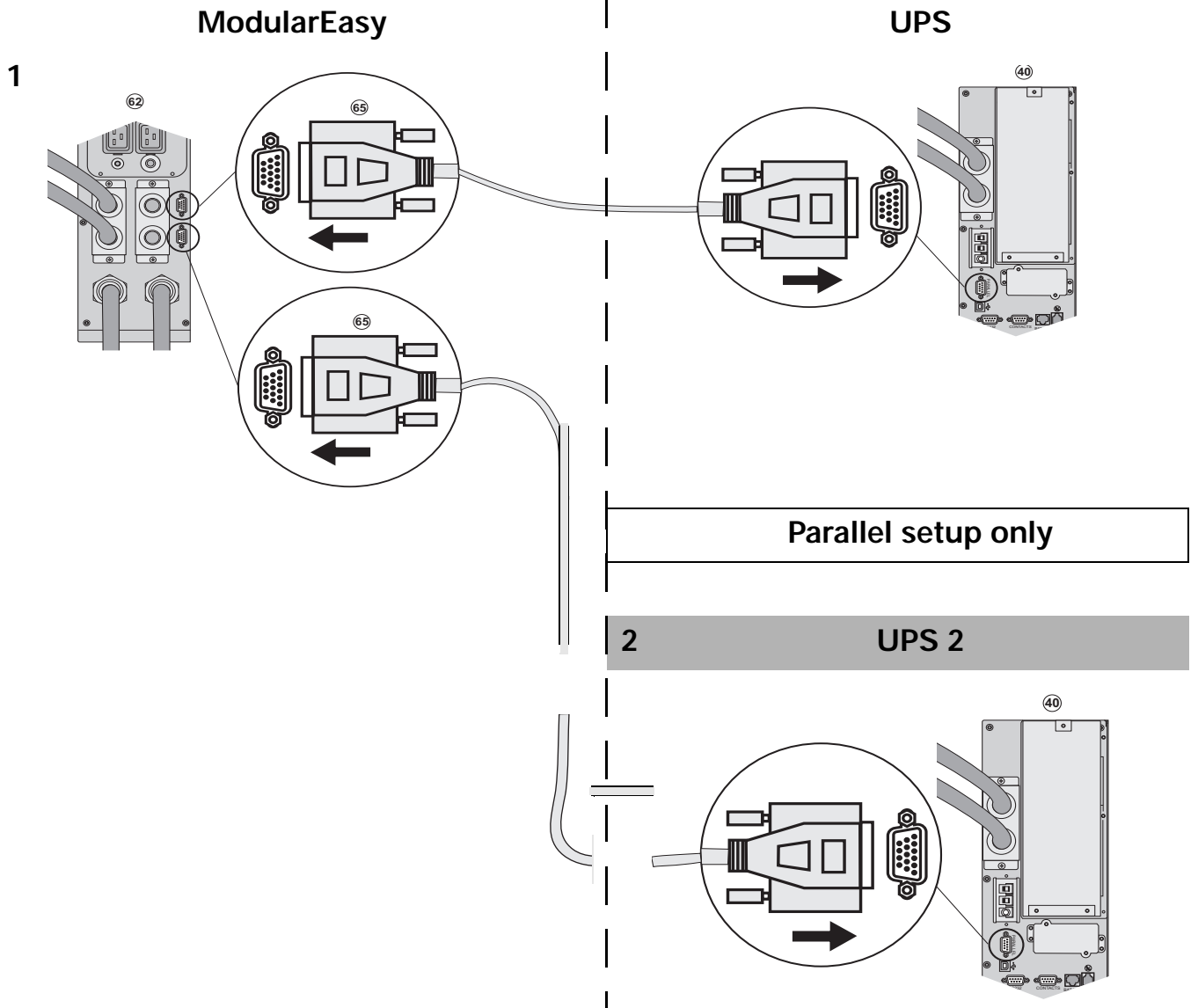
Hotswap



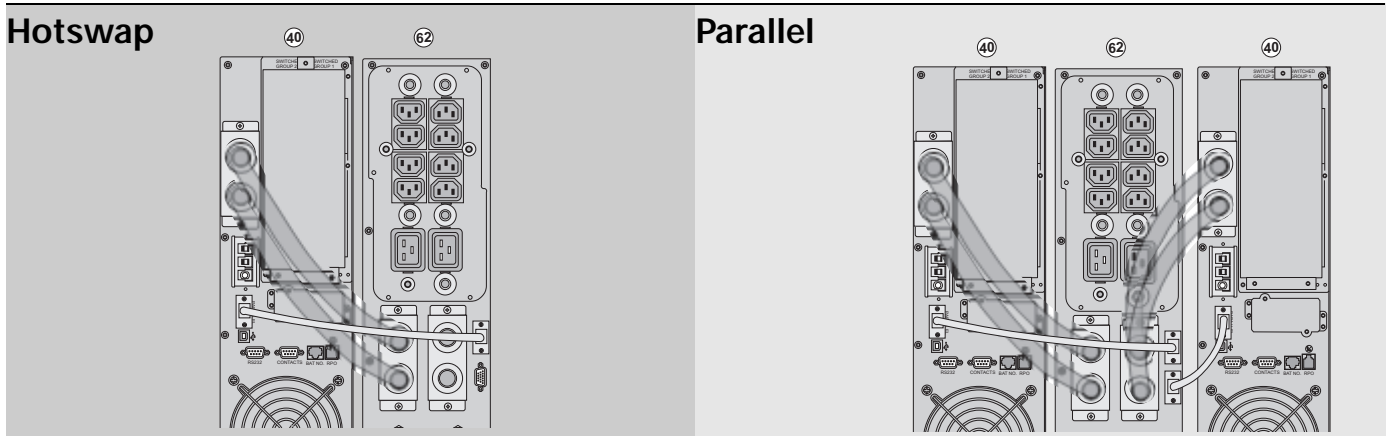
Parallel



Step 5



After Step 5

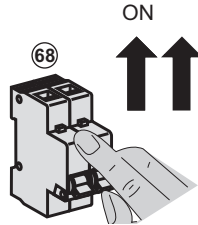


Startup

Hotswap

Step 6A

Circuit Breaker 32 A



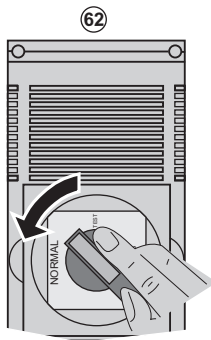
Step 7A

ModularEasy

1

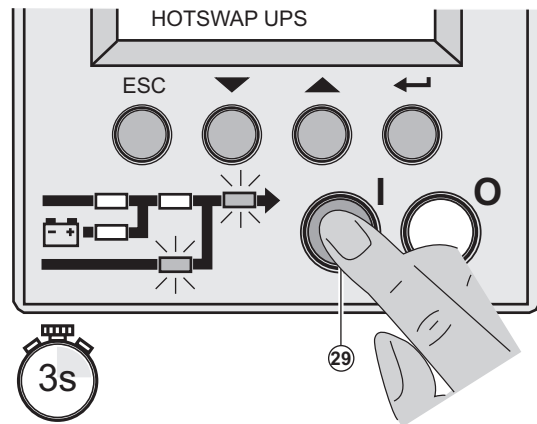


Only if necessary

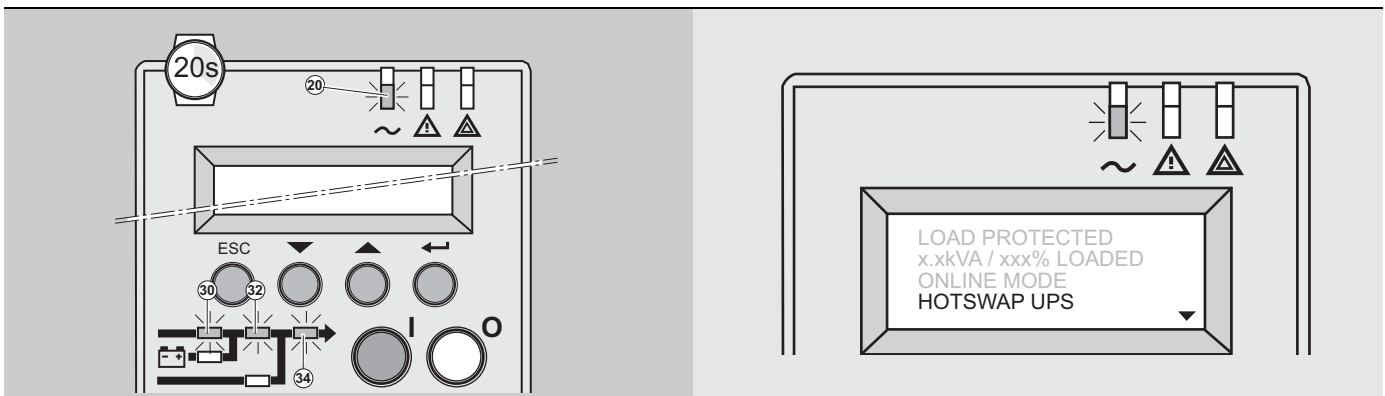


UPS

2



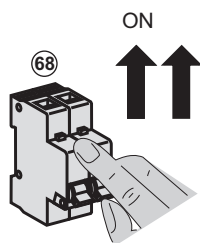
After Step 7A (Wait 20 Seconds)



The equipments are now protected by the UPS.

Step 6B

Circuit Breaker 63 A



Step 7B

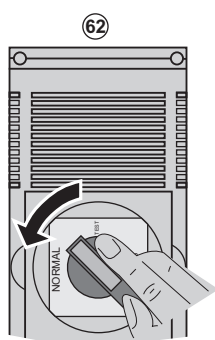
ModularEasy

UPS

1

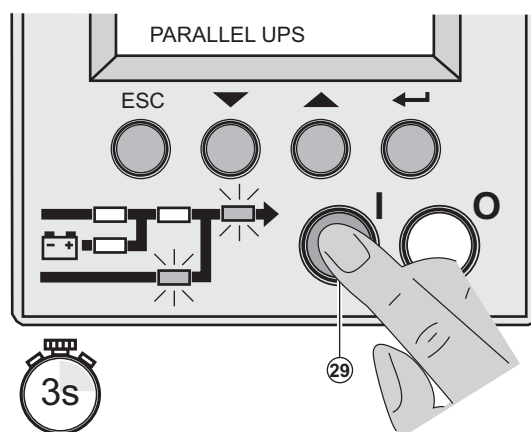


Only if necessary



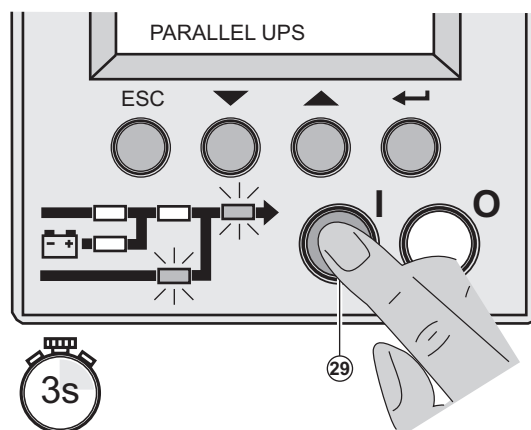
2

UPS 1



3

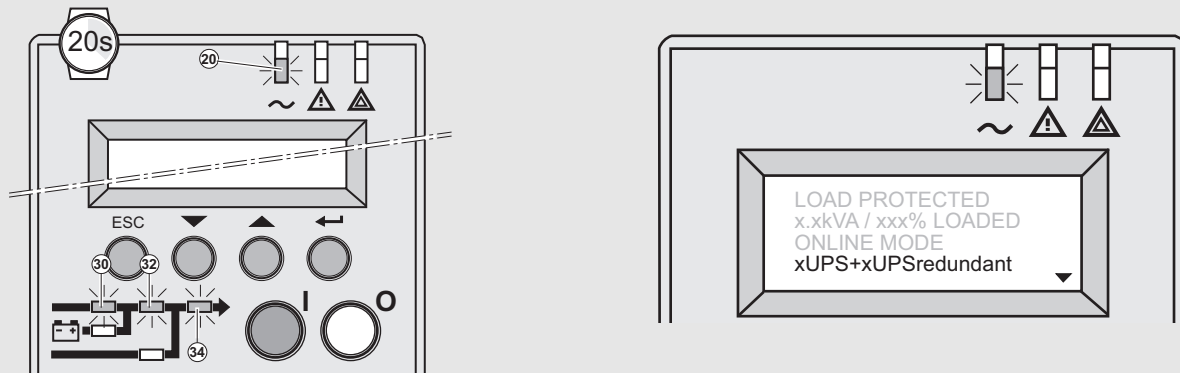
UPS 2



Parallel

After Step 7B (Wait 20 Seconds)

UPS 1 & 2



The equipments are now protected by the UPS.

Troubleshooting

See UPS user's manual section 5 page 28.

Maintenance

See UPS user's manual section 7 page 32.

Notes

