

DAP-3520

Release 1.00

AirPremier N

Exterior Access Point w/ PoE

Install Guide

Business Class Networking

System Requirements

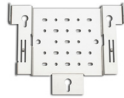
Minimum System Requirements:

- CD-ROM Drive
- Computers with Windows®, Macintosh®, or Linux-based operating systems
- Installed Ethernet Adapter
- Internet Explorer version 7.0 or Firefox 3.0 and above

Package Contents



**DAP-3520 AirPremier N PoE
Exterior Access Point**



Mounting Plate



**Power over Ethernet
base unit**



4m Ethernet Cable



Power cord



CD-ROM with Manual



Screws



Grounding Wire



Power Adapter - DC 48V, 0.4A



Using a power adapter with a different voltage rating will damage and void the warranty of this product.

Before You Begin

It's best to use a computer (with an Ethernet adapter) connected to a switch to configure the DAP-3520. The default IP address for the DAP-3520 is 192.168.0.50 with a subnet mask of 255.255.255.0 on the wired Ethernet side. You will need to assign your computer a static IP address within the same range as the DAP-3520's IP address for the purpose of configuring the DAP-3520. If you need assistance assigning a static IP address to your network adapter, please refer to the manual on the CD-ROM.

Important Information

This product should ONLY be installed by an experienced installer who is familiar with local building and safety codes and where ever applicable, is licensed by the appropriate authorities. Failure to do so may void the D-Link product warranty and may expose the end user or the service provider to legal and financial liabilities. D-Link and its resellers or distributors are not liable for injury, damage, or violation of regulations associated with the installation of outdoor units or antennas.

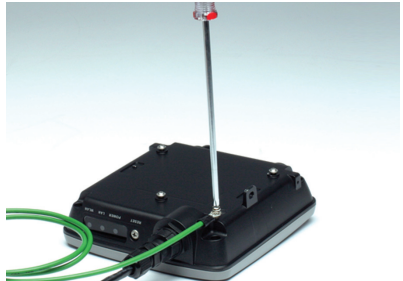
A safety grounding system is necessary to protect your outdoor installation from lightning strikes and the build-up of static electricity. The grounding system must comply with the National Electrical Code and safety standards that apply in your country. Always check with a qualified electrician if you are in doubt as to whether your outdoor installation is properly grounded.

Note:

DAP-3520 is certified to IP65 which means the device is protected from dust and low pressure jets of water from all directions - limited ingress permitted. It is recommended to place this device under a roof.

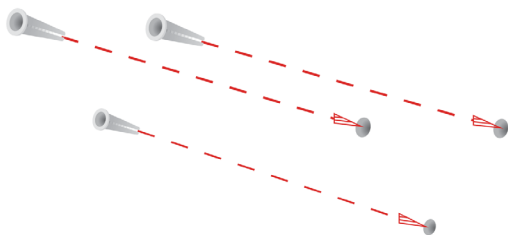
Physical Installation

Connect the supplied Ethernet cable with the waterproof enclosure to the Ethernet port on the DAP-3520 and attach the grounding wire.

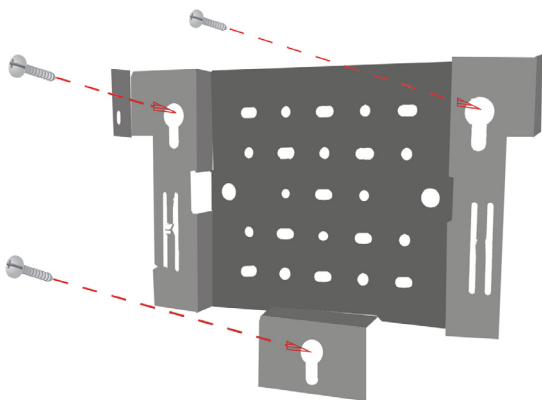


Mounting Plate Assembly

Step 1: Insert provided wall anchors in the wall where the mounting plate will be attached.



Step 2: Use the provided screws to secure the mounting plate on the wall.



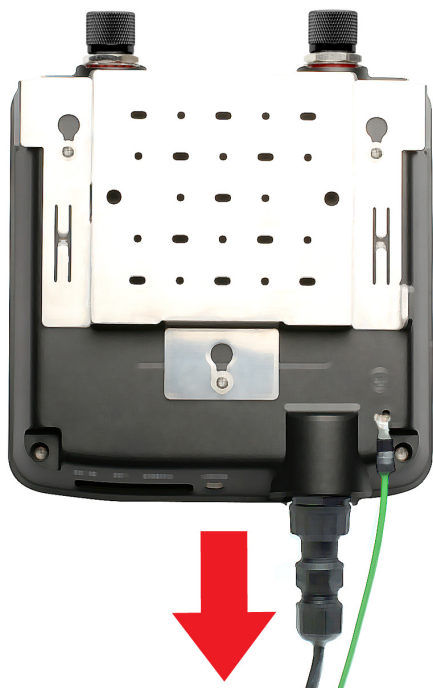
Step 3: Attach the remaining screws securely to the back of the DAP-3520.



Step 4: Attach the DAP-3520 to the mounting plate.



Step 5: Slide the DAP-3520 down into the grooves on the mounting plate to secure it to the plate.



Installing the Hardware

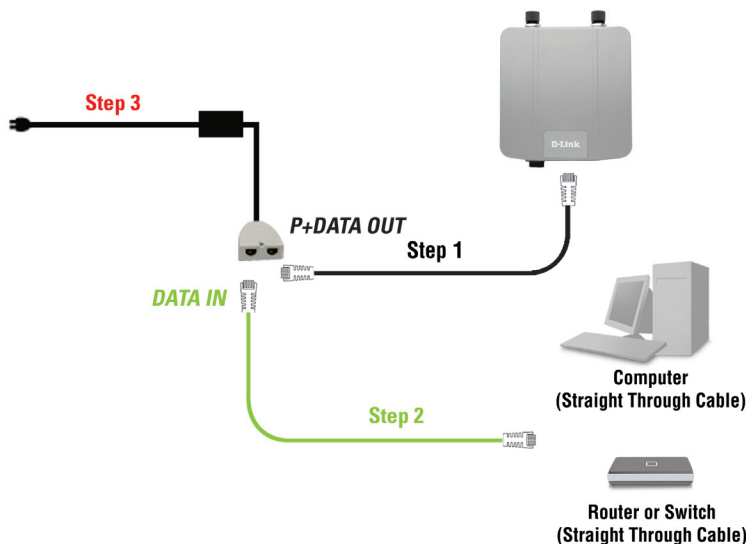
Power over Ethernet (PoE) Setup

Step 1

Connect one end of an Ethernet cable (included with your package) to the LAN port on the DAP-3520 and the other end of the Ethernet cable to the port labeled P+DATA OUT on the PoE base unit.

Step 2

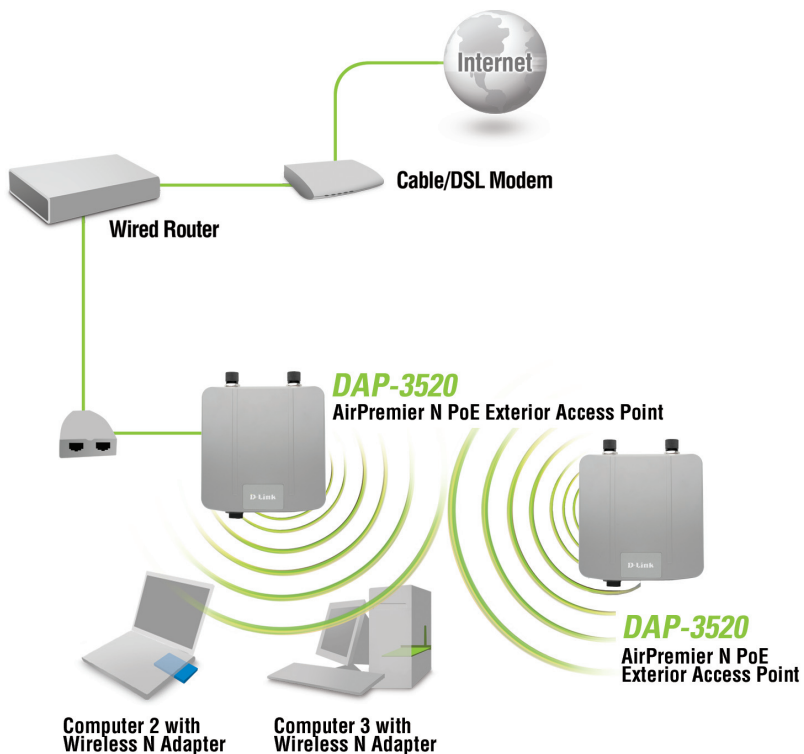
Connect another Ethernet cable from the DATA IN port on the PoE base unit to your router/switch or to a PC.



Step 3

Attach the power adapter to the connector labeled POWER IN on the PoE base unit. Attach the power cord to the power adapter and into an electrical outlet.

When you have completed the steps in this Installation Guide and configured your DAP-3520 for your network, your network should look similar to this:



Notes

Notes

Technical Support

D-Link's website contains the latest user documentation and software updates for D-Link products.

U.S. and Canadian customers can contact D-Link Technical Support through our website or by phone.

United States

Telephone

(877) 354-6555

World Wide Web

<http://support.dlink.com>

Canada

Telephone

(877) 354-6560

World Wide Web

<http://support.dlink.com>



Version 1.0
January 06, 2009

Copyright ©2009 D-Link Corporation/D-Link Systems, Inc. All rights reserved. D-Link, and the D-Link logo are registered trademarks of D-Link Corporation or its subsidiaries in the United States and other countries. Other trademarks are the property of their respective owners. Product specifications, size and shape are subject to change without notice, and actual product appearance may differ from that depicted on the packaging. Visit www.dlink.com for more details.